

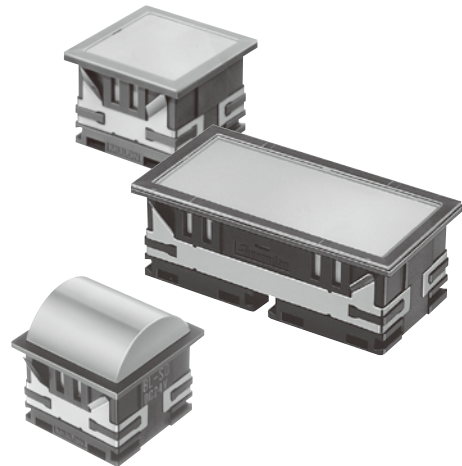
## BL LED Indicator

**Bright and Various Illumination makes easy planning of multiple design.**  
**Easy Matrix Mounting available.**  
**Dome Cover type (easy to look) provided.**

**Various illumination (Mono Color, Split-Face, 3-color, Negative) available.**

### ■ FEATURES

- Size : 30mm square type.
- 30 60mm rectangular type.
- Depth behind panel : Only 20mm
- Illumination : Mono-Color, Split-Face, 3-Color (Red, Green, Yellow), Negative
- Dome Cover type (easy to look) available.
- Terminal : Connector Type  
Mounting : Snap-in Type  
(Matrix mounting is possible to use "joint".)



## SPECIFICATIONS

Insulation Resistance	More than 100M $\Omega$ at 500V DC
Dielectric Strength	1500V AC RMS between terminals and ground (50/60Hz for 60sec. at normal ambient temperature and humidity)
Reverse Dielectric Strength	150V
Ambient Temperature	10 C~ 40 C
Ambient Humidity	45~80% RH

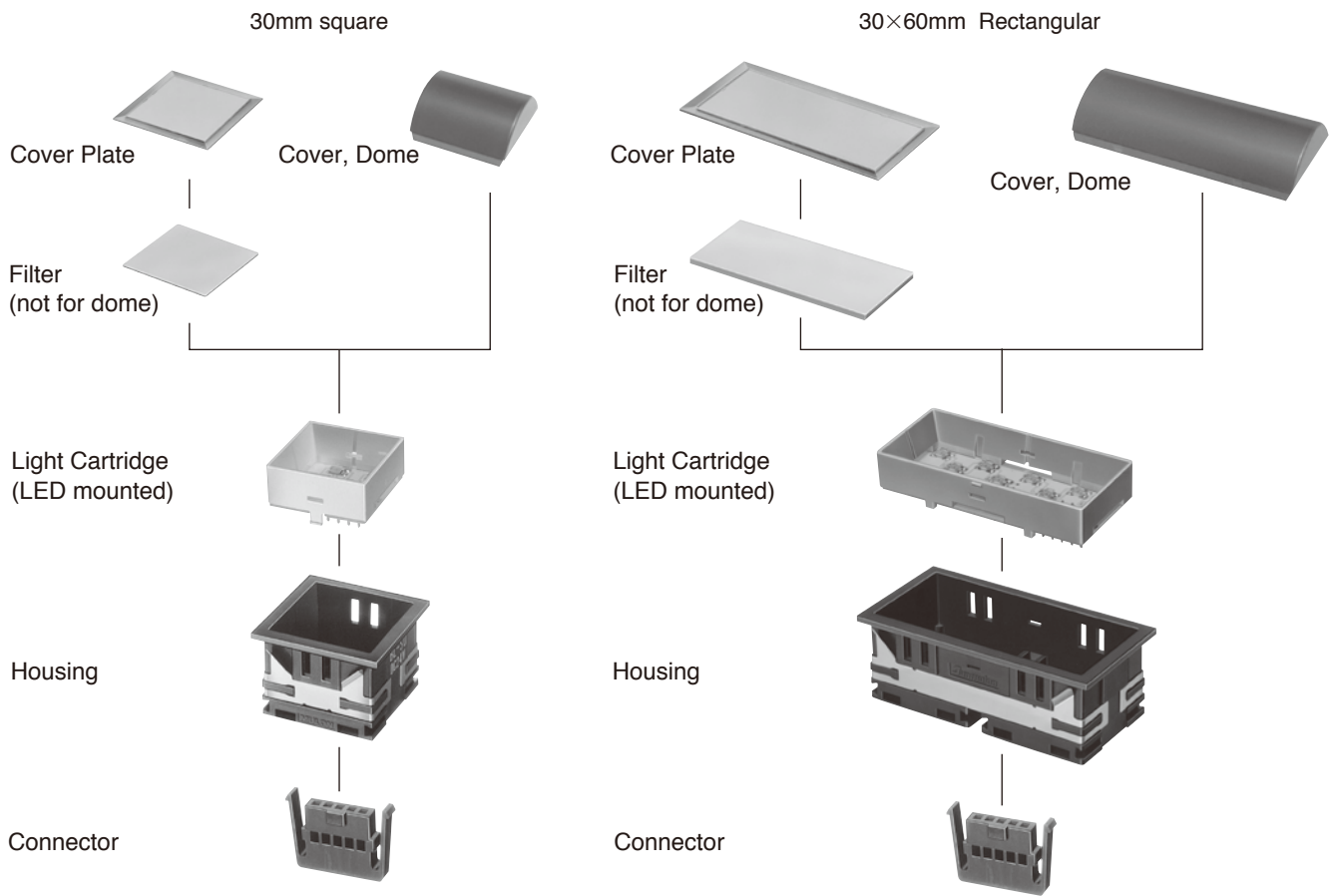
## LED DATA

	DC Supply Voltage (V)	Current Rating (mA)						
		Mono-Color		Split-Face		3-Color		
		Red	Green/Yellow	Red	Green/Yellow	Red	Green	Yellow
30 30	DC12 ( 5%)	26	40	13	20	26	40	40
	DC24 ( 5%)	13	20	13	20	13	20	20
30 60	DC12 ( 5%)	52	80	26	40	52	80	80
	DC24 ( 5%)	26	40	13	20	26	40	40

## LED DATA (Super BL LED COLOR)

	DC Supply Voltage (V)	Current Rating (mA)											
		Mono-Color					Split-Face			3-Color			
		Red	Green	Yellow	Super Blue	Super White	Super Green	Red	Green	Yellow	Red	Green	Yellow
30×30	DC12 (±5%)	16	34	20	15	11	11	8	17	10	16	34	37
	DC24 (±5%)	8	17	10	8	6	6	8	17	10	8	17	21
30×60	DC12 (±5%)	31	67	41	31	22	22	16	34	20	31	67	67
	DC24 (±5%)	16	34	20	15	11	11	8	17	10	16	34	38

## STRUCTURE


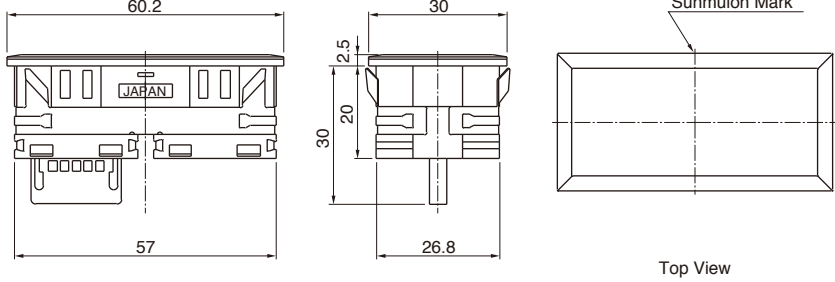
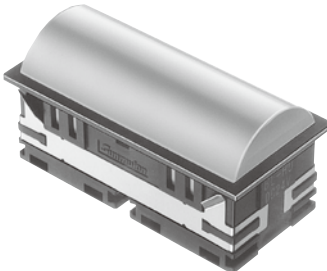
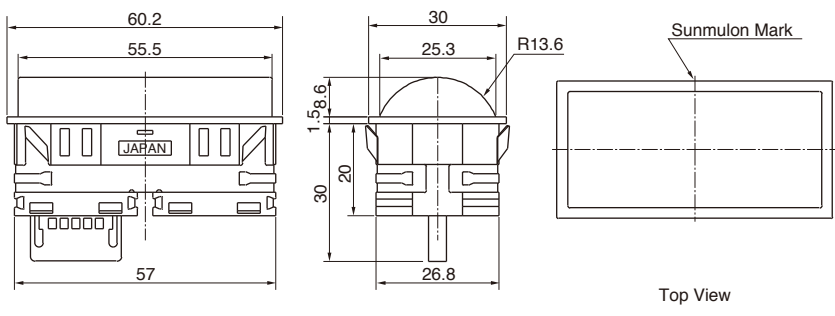


## DIMENSIONS


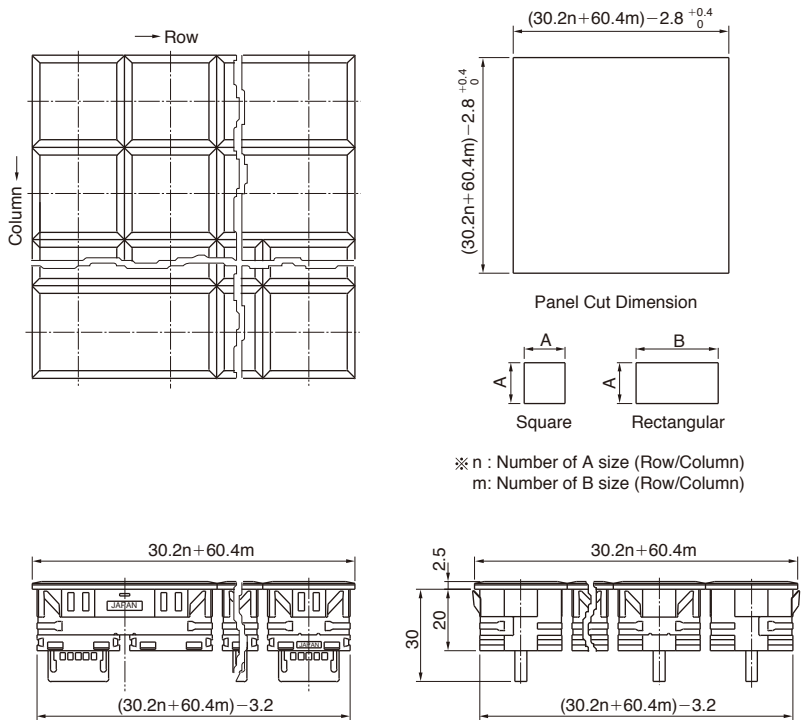
30mm square	Flat type				
	Dome type				

Tolerance : ±0.4mm

DIMENSIONS

<p>30×60mm Rectangular</p>	<p>Flat type</p>		
	<p>Dome type</p>		

Panel Thickness 1mm~4mm

<p>Matrix Mounting (Without Matrix Frame)</p>		
---	---	--

※ n : Number of A size (Row/Column)  
 m : Number of B size (Row/Column)

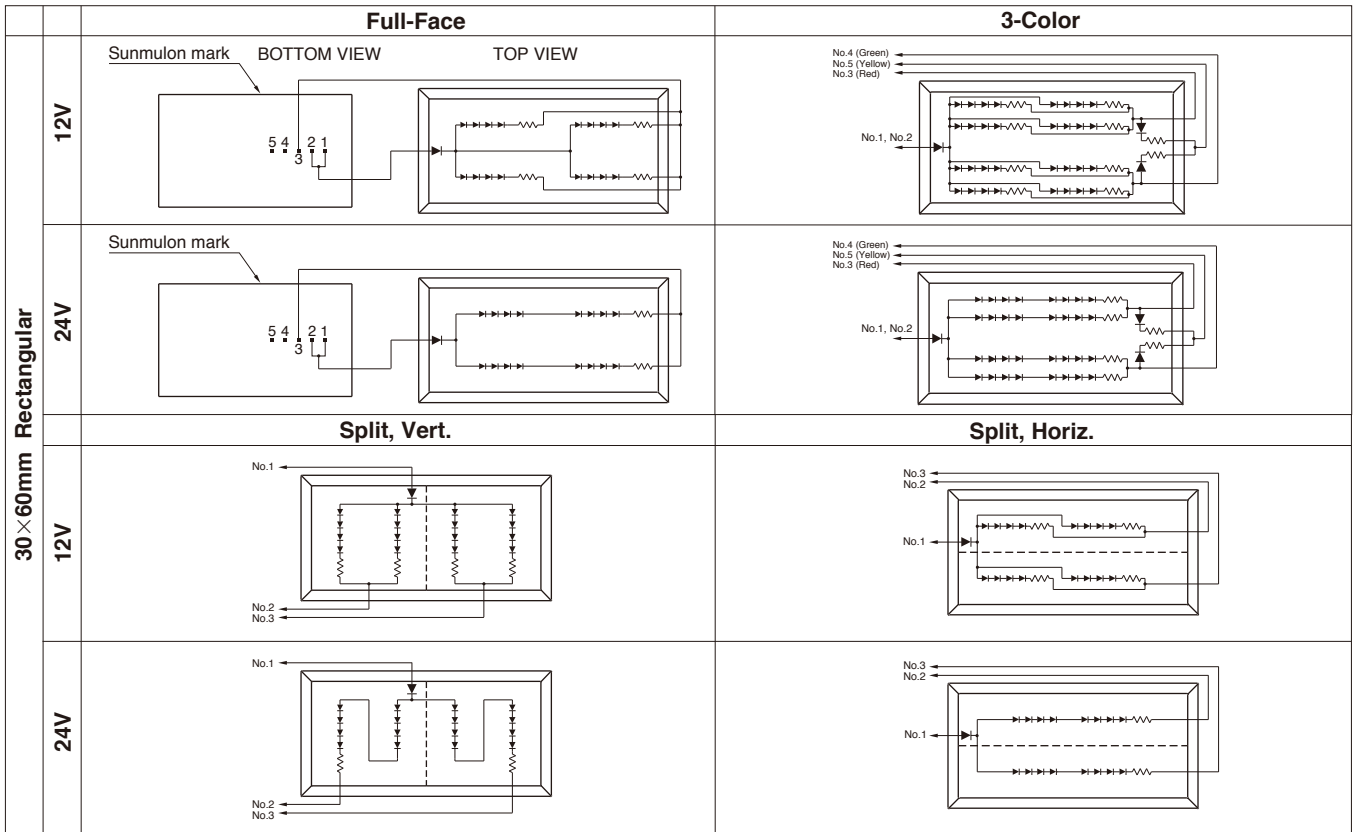
Tolerance : ±0.4mm

## INTERNAL CONNECTION ARRANGEMENTS

		Full-Face		3-Color	Split, Horiz.
30mm square	12V	<p>BOTTOM VIEW</p> <p>MULON mark</p> <p>5 4 3 2 1</p> <p>TOP VIEW</p>	<p>3-Color</p> <p>No. 4 (Green) No. 5 (Yellow) No. 3 (Red)</p> <p>No. 1, No. 2</p>	<p>Split, Horiz.</p> <p>No. 3 No. 2 No. 1</p>	
	24V	<p>BOTTOM VIEW</p> <p>MULON mark</p> <p>5 4 3 2 1</p> <p>TOP VIEW</p>	<p>3-Color</p> <p>No. 4 (Green) No. 5 (Yellow) No. 3 (Red)</p> <p>No. 1, No. 2</p>	<p>Split, Horiz.</p> <p>No. 3 No. 2 No. 1</p>	

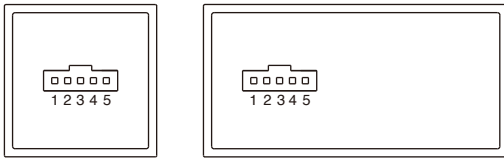
Tolerance :  $\pm 0.4\text{mm}$

## INTERNAL CONNECTION ARRANGEMENTS

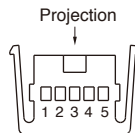


## TERMINAL

### ● TERMINAL LAYOUT



### ● CONNECTOR



### ● Suitable wire

Wire size	Diameter
AWG #24-28	1.0-1.5mm

Pin No.	Full-Face	Split, Vert.	Split, Horiz.	3-Color
1	Anode (+)	Anode (+)	Anode (+)	Anode (+)
2	Anode (+)	Cathode (-)	Cathode (-)	Anode (+)
3	Cathode (-)	Cathode (-)	Cathode (-)	Cathode (-) Red
4	/	/	/	Cathode (-) Green
5	/	/	/	Cathode (-) Yellow

Note: Simultaneous lighting is impossible while pin no. 3, 4, 5 for 3-Color Type, also impossible while pin no. 2, 4 and 3, 5 for Split-Face Dual Color Type.

### ● Super BL LED COLOR

Pin No.	Full-Face		Split	3-Color
	R, G, Y	SB, SW, SG		
1	Anode (+)	Anode (+)	Anode (+)	Anode (+)
2	Anode (+)	Anode (+)	Cathode (-)	Anode (+)
3	Cathode (-)	Cathode (-)	Cathode (-)	Cathode (-) Red
4	/	Cathode (-)	/	Cathode (-) Green
5	/	/	/	Cathode (-) Yellow

## Panel Cut Dimensions

Panel thickness : 1~4mm

		Panel Layout	Panel Cut Dimensions
30mm square	Serial Mounting		
	Rectangular Vert., Serial Mounting		
	30×60mm Horiz. Serial Mounting		

n : number of indicators

## ACCESSORIES

### Connector (appended)

Part No. BL-0077



Housing



Contact Pin  
Honda Tsushin Kogyo made (HKP-F403)

### Joint (Use for Matrix mounting)

Part No. BL-0065

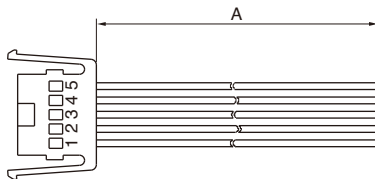


Tolerance : ±0.4mm

Connector (1Housing & 5 Contact Pins) to be appended.

### Wire Harness

Wire : UL1061, AWG26



Pin no.	1	2	3	4	5	A Length	Part No.
Color	Red	Green	Yellow	Blue	Grey	50cm	CL-0230
						100cm	CL-0231

### Contact Pin press Tool



Honda Tsushin Kogyo made (KP-309)

## ORDERING CODE I

### UNIT

BL —    1 2       1 2         

#### ● SHAPE & ILLUMINATION

S0	30mm square, Full-Face	
S2	30mm square, Split, Horiz.	
S3	30mm square, 3-Color	※1)
W0	30×60mm Rect., Full-Face	
W1	30×60mm Rect., Split, Vert.	
W2	30×60mm Rect., Split, Horiz.	
W3	30×60mm Rect., 3-Color	※1)

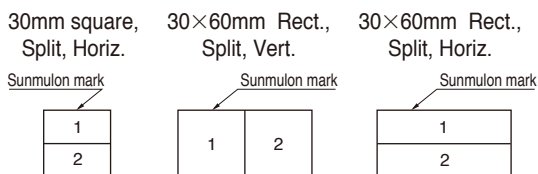
T0	30mm square, Full-Face, Dome	
T3	30mm square, 3-Color, Dome	※4) ※5)
H0	30×60mm Rect., Full-Face, Dome	※4)
H3	30×60mm Rect., 3-Color, Dome	※4) ※5)

#### ● LED COLOR ※3)

7	Red	Full-Face : Put color no. into the frame 1 Split-Face : Put color no. into the frame 1, 2 3-Color : Put color no. 7080 into the frame 1, 2 ※2)
8	Green	
9	Yellow	
X	Without LED	

#### ● NOTES

- ※1) In case of Negative illumination, please select Milk-White filter.  
(Black silk printing to be applied on Milk-White filter)
- ※2) Simultaneous lighting is impossible for 3-Color Type.
- ※3) In case of Split-Face, LED and Filter color location should be specified as follow:



- ※4) In case of selecting Dome type, filter is not needed, so please select Without Filter(X)
- ※5) Milk-White color filter or dome cover must be selected for 3-Color type.
- ※6) Snap-spring metal plates come out Left/Right direction for Vertical Mounting, and Top/Bottom direction for Horizontal Mounting, and Top/Bottom direction for Horizontal Mounting, and Top/Bottom direction for Horizontal Mounting, and Top/Bottom direction for Horizontal Mounting. Therefore, in case of independent use, it does not matter. (select 2 Horizontal ordinary)

#### ● MOUNTING

1	For Horiz. Mtg.
2	For Vert. Mtg.

#### ● SUPPLY VOLTAGE

2	12V
3	24V
X	Without LED

#### ● TERMINAL

K	With Connector
N	Without Connector

#### ● HOUSING COLOR

K	Black
H	Grey

#### ● FILTER COLOR ※3)

1	Red	Full-Face : Put color no. into the frame 1 Split-Face : Put color no. into the frame 1, 2 3-Color : Put color no. 4 into the frame 1
2	Green	
3	Yellow	
4	Milk-White	
X	Without Filter	

#### ● COVER PLATE

C	Transparent
SK	Semitransparent (for Negative) ※1)

#### ● DOME COVER

R	Red	※	Y	Yellow
G	Green		M	Milk-White

※ "Yellow" color for LED/Filter is actually "Orange Yellow".

### MATRIX INDICATOR

BL —       X      

#### ● COLUMN

01	1
⋮	⋮
10	10

#### ● ROW

01	1
⋮	⋮
10	10

According to user's specification, suffix no. will be given.

#### ● MATRIX FRAME

K	Black
H	Gray
X	Without Frame

- In case of Matrix Indicator, please inquiry us how to order.

## ORDERING CODE II (Super BL LED COLOR)

### UNIT

BL —    1 2       1 2         

#### ● SHAPE & ILLUMINATION

S0	30mm square, Full-Face	
S2	30mm square, Split, Horiz.	
S3	30mm square, 3-Color	※ 1)
W0	30×60mm Rect., Full-Face	
W1	30×60mm Rect., Split, Vert.	
W2	30×60mm Rect., Split, Horiz.	
W3	30×60mm Rect., 3-Color	※ 1)

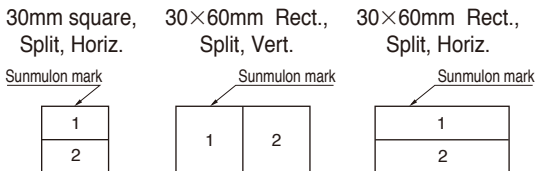
T0	30mm square, Full-Face, Dome	
T3	30mm square, 3-Color, Dome	※ 4) ※ 5)
H0	30×60mm Rect., Full-Face, Dome	※ 4)
H3	30×60mm Rect., 3-Color, Dome	※ 4) ※ 5)

#### ● LED COLOR ※ 3)

70	Red	Full-Face : Put color no. into the frame 1 Split-Face : Put color no. into the frame 1, 2 (7070, 7080, 7090) (8070, 8080, 8090) (9070, 9080, 9090) combination only 3-Color : Put color no. 7080 into the frame 1, 2 ※ 2)
80	Green	
90	Yellow	
14	Super Blue	
16	Super White	
18	Super Green	
X	Without LED	

#### ● NOTES

- ※ 1) In case of Negative illumination, please select Milk-White filter.  
(Black silk printing to be applied on Milk-White filter)
- ※ 2) Simultaneous lighting is impossible for 3-Color Type.
- ※ 3) In case of Split-Face, LED and Filter color location should be specified as follow:



- ※ 4) In case of selecting Dome type, filter is not needed, so please select Without Filter(X)
- ※ 5) Milk-White color filter or dome cover must be selected for 3-Color type.
- ※ 6) Snap-spring metal plates come out Left/Right direction for Vertical Mounting, and Top/Bottom direction for Horizontal Mounting to avoid interfering mutually in case of serial mounting. Therefore, in case of independent use, it does not matter. (select 2 Horizontal ordinary)

### MATRIX INDICATOR

BL —       ×      

#### ● COLUMN

01	1
⋮	⋮
10	10

#### ● ROW

01	1
⋮	⋮
10	10

- In case of Matrix Indicator, please inquiry us how to order.

#### ● MOUNTING

1	For Horiz. Mtg.
2	For Vert. Mtg.

#### ● SUPPLY VOLTAGE

2	12V
3	24V
X	Without LED

#### ● TERMINAL

K	With Connector
N	Without Connector

#### ● HOUSING COLOR

K	Black
H	Grey

#### ● FILTER COLOR ※ 3)

1	Red	Full-Face : Put color no. into the frame 1 Split-Face : Put color no. into the frame 1, 2 3-Color : Put color no. 4 into the frame 1
2	Green	
3	Yellow	
4	Milk-White	
X	Without Filter	

#### ● COVER PLATE

C	Transparent
SK	Semitransparent (for Negative) ※ 1)

#### ● DOME COVER

R	Red	※	Y	Yellow
G	Green		M	Milk-White

- ※ "Yellow" color for LED/Filter is actually "Orange Yellow".

According to user's specification, suffix no. will be given.

#### ● MATRIX FRAME

K	Black
H	Gray
X	Without Frame